



Xpando® Take-Off Fittings

Putting Water Where it Counts!®



Ordering Information - Xpando® Take-Off Adaptors

Type	Order Code	Pack Quantity	Packs per Carton	Carton (kg)
Xpando® 10 mm inlet x 13 mm Take-Off	45715	25	65	8.9
Xpando® 10 mm inlet x 14 mm Take-Off (16 OD)	45875	25	65	9.8
Xpando® 10 mm inlet x 15 mm Take-Off (17 OD)	45885	25	56	9.2
Xpando® 13 mm inlet x 13 mm Take-Off	45605	25	60	8.7
Xpando® 13 mm inlet x 14 mm Take-Off (16 OD)	45595	25	60	9.6
Xpando® 13 mm inlet x 15 mm Take-Off (17 OD)	45615	25	48	8.2
Xpando® 16 mm inlet x 16 mm Take-Off (18 OD)	45635	25	35	8.8
Xpando® 16 mm inlet x 18 mm Take-Off (20 OD)	45585	25	32	8.2
Xpando® 19 mm inlet x 18 mm Take-Off (20 OD)	45995	25	26	8.4
Xpando® 19 mm inlet x 19 mm Take-Off	45665	25	26	9.0
Xpando® 19 mm inlet x 21 mm Take-Off (23 OD)	45675	25	24	9.3
Xpando® 19 mm inlet x 25 mm Take-Off (27 OD)	45685	25	18	8.0

Ordering Information - Xpando® Director


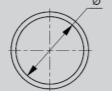




Type	Order Code	Pack Quantity	Packs per Carton	Carton (kg)
Xpando® Director 1/2" BSPM x 19 mm Take-Off	45985	20	20	10.1

Ordering Information - Capo® Rubber Grommets

Type	Order Code	Pack Quantity	Packs per Carton	Carton (kg)
Capo® Rubber Grommet 10 mm	45725	100	40	12.7
Capo® Rubber Grommet 13 mm	45735	100	40	10.5
Capo® Rubber Grommet 16 mm	45745	100	24	10.8
Capo® Rubber Grommet 19 mm	45755	100	18	10.4

Ordering Information - Xpando® Drill Bits

Type	Order Code	Pack Quantity	Packs per Carton	Carton (kg)
14 mm Drill Bit for 10 mm Xpando®	51835	1	36	1.8
16 mm Drill Bit for 13 mm Xpando®	51845	1	36	2.2
19 mm Drill Bit for 16 mm Xpando®	51855	1	36	2.7
22 mm Drill Bit for 19 mm Xpando®	51865	1	36	3.6

Xpando® Take -Off Adaptor	Min. ID	Min. Wall Thickness	Max. Wall Thickness	Capo® Grommet	Hole Size Grommet
					
Xpando® 10 mm x 13 mm	25 mm	1.5 mm	3.6 mm	10 mm (curved)	14 mm
Xpando® 10 mm x 14 mm					
Xpando® 10 mm x 15 mm					
Xpando® 13 mm x 13 mm	40 mm	1.5 mm	2.3 mm	13 mm	16 mm
Xpando® 13 mm x 14 mm					
Xpando® 13 mm x 15 mm					
Xpando® 16 mm x 16 mm	50 mm	1.5 mm	3.6 mm	16 mm	19 mm
Xpando® 16 mm x 18 mm					
Xpando® 19 mm x 18 mm	50 mm	1.5 mm	6.0 mm	19 mm	22 mm
Xpando® 19 mm x 19 mm					
Xpando® 19 mm x 21 mm					
Xpando® 19 mm x 25 mm					
Xpando® Director 19 mm	50 mm	1.5 mm	6.0 mm	19 mm	22 mm

Ref : XPANDO_METRIC 150622



FITTINGS

Antelco Australia
 Antelco Pty Ltd ABN 50 008 062 708
 Sales & Marketing, Orders & Warehouse
 Research & Development
 PO Box 95, 131 Tolley Rd,
 St Agnes SA 5097 Australia
 +61 8 8334 4333
 adelaide@antelco.com.au

Antelco USA
 Antelco Corporation
 Sales & Marketing, Orders & Warehouse
 886 Waterway Pl,
 Longwood,
 Florida 32750 USA
 +1 407 331 0699
 info@antelco.com

Antelco Europe
 Antelco UK Limited
 Sales & Marketing, Orders & Warehouse
 17a Chartmoor Rd,
 Leighton Buzzard,
 Bedfordshire LU7 4WG UK
 +44 152 585 9990
 orders@antelco.co.uk

Xpando® Take-Off Fittings

Made in Australia

www.antelco.com



Antelco Xpando® Take-Off Fittings are an improved method of connecting low pressure irrigation tubes and drip lines from HDPE and uPVC pipes and sub mains.

The innovative Xpando® Take-Off Adaptor is designed with a collapsible barb that prevents pullout of the fitting once installed. The collapsible barb also reduces damage to the grommet during the installation process.

The threaded Xpando® Director allows for direct connection of threaded sprinkler risers to rigid sprinkler lateral pipework.

Features

- ☑ Easy to install, reducing both time and cost of installation
- ☑ Innovative Xpando® Take-Off Adaptor with collapsible barb prevents pullout and reduces grommet damage during the installation process
- ☑ Capo® Grommet with internal step combines with Xpando® interference barb to hold off-take firmly in place
- ☑ Xpando® Director for direct connection to threaded installations
- ☑ UV stabilised materials for long life

Applications

Agricultural, horticultural, vineyard and landscape applications.



Xpando® Take-Off Adaptors

Features

- Innovative Xpando® inlet x barbed outlet.
- Collapsible barb on inlet ensures secure fit once installed and prevents damage during installation.
- Combine with Capo® Rubber Grommets for leak proof seal.



Xpando® Take-Off Adaptor



Capo® Rubber Grommets

Features

- Quality rubber grommet moulds to pipework to create water proof seal.
- Grommet internal step combines with Xpando® interference barb to hold Take-Off firmly in place.



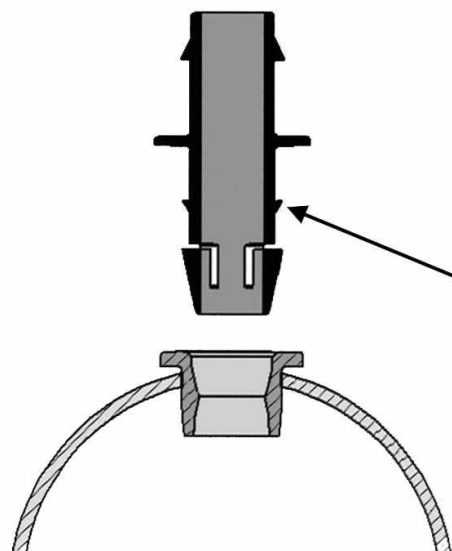
Capo® Rubber Grommet

Accessory Products

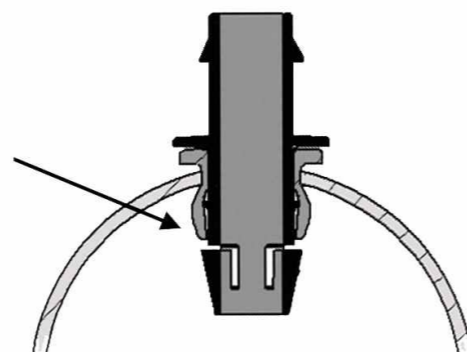


Xpando® Drill Bits

- 14 mm for 10 mm Xpando® - Code: 51835
- 16 mm for 13 mm Xpando® - Code: 51845
- 19 mm for 16 mm Xpando® - Code: 51855
- 22 mm for 19 mm Xpando® - Code: 51865



Interference between inlet barb and grommet causes grommet to expand and seal creating a leak proof connection



Xpando® Take-Off Director

Features

- Allows direct connection of threaded sprinkler risers to rigid sprinkler lateral pipework.
- 1/2" male thread x 19 mm Take-Off.
- Use with standard Capo® Rubber Grommets.
- Use 22 mm Xpando® Drill Bit for installation.



Xpando® Director
1/2" BSPM x 19 mm