



Model TAD ADIR Automatic Disc Filter Batteries

TAVLIT line of automatic disc filters model TAD combines high quality depth filtration with efficient flushing of the disc element.

The filter element is composed of highly accurate grooved discs from excellent quality plastic materials. The grooved discs are compressed together to form the filtration element.

The intersections between the grooves and the outer surface of the element offer large effective filtration surface with in depth area used to stop debris is especially effective in filtration of organic matter.

Applications:

- As main filter battery for AG, Turf and large landscape projects.
- Used as pre-filtration in systems when a high degree of filtration is used to protect the main filters.
- Used with cold water irrigation systems only.

Filtration process:

Water enters the filter and flow through the discs from the outer surface into the inner space.

The dirt accumulates on the outer surface and between the grooves and filtered water flows to the outlet of the filter.

Flushing process:

Accumulation of the dirt increases the head loss across the filtration battery.

When the head loss reaches a pre-set value (usually 50 kpa; 7 psi) the controller performs a flushing cycle flushing one filter after the other. Additionally, the controller has a pre-set time-based flushing as a backup.



Recommended Backwashing Settings:

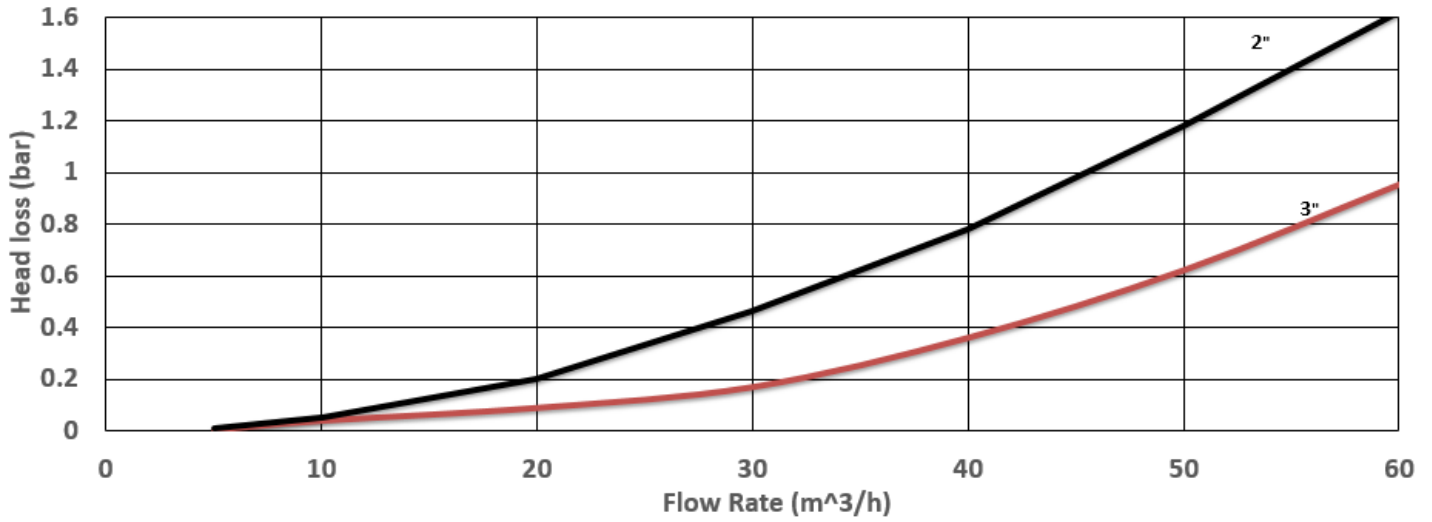
- DP setting is set at 0.5 bar (50 kpa)
- Flush time 30 seconds
- Delay 2 hrs

Users should monitor the drop in pressure across the inlet and outlet on the three way pressure gauge at the inlet manifold. The time it takes to reach a 50 kpa drop across the filter is the flushing cycle Delay – if possible set your delay to minus 30 minutes. Flush time to 30 seconds or whichever time it takes to return pressure drop below 50kPa across the filter.

Technical information:

- Available in 50mm and 80mm inlet head size for various flow rates.
- Max. operating pressure 1,000 kpa
- Min pressure required for flushing 250 kpa
- Backflush flowrate: 9.5 m³/h.
- Filtration grade: 120 micron/mesh

Adir TAD Automatic Disc



FILTER BATTERY	FILTRATION AREA CM2	FILTRATION VOLUME M3	WATER QUALITY GOOD (M3/HR)	WATER QUALITY AVERAGE (M3/HR)	WATER QUALITY POOR (M3/HR)	HR CODE
2 X 2"	2,200	2,870	40	30	20	TAD22130MIC
3 X 2"	3,300	4,290	60	45	30	TAD32130MIC
3 X 3"	3,300	4,290	90	75	60	TAD33130MIC

Other filter microns available on request

(Filter case supplied in black only)

www.hrproducts.com.au



PERTH

PH: 08 9484 6500

FAX: 08 9455 1680

hrsales@hrproducts.com.au

SYDNEY

PH: 02 9616 1300

FAX: 02 9725 5283

infonsw@hrproducts.com.au

MELBOURNE

PH: 03 8458 7400

FAX: 03 9457 7400

infovic@hrproducts.com.au

BRISBANE

PH: 07 3080 6200

FAX: 07 3806 0533

infoqld@hrproducts.com.au

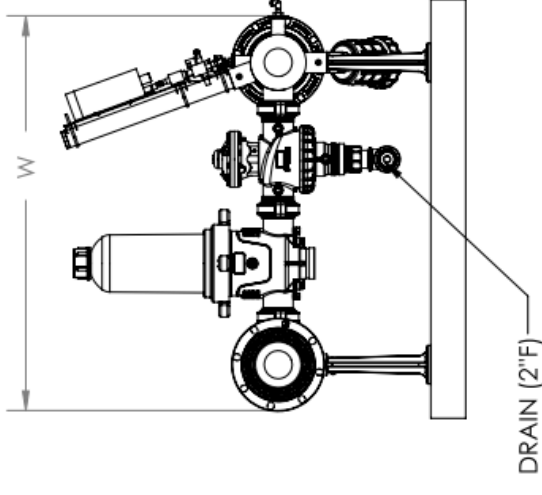
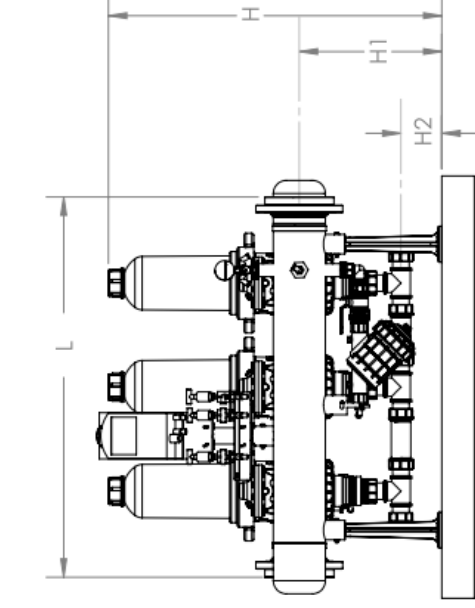
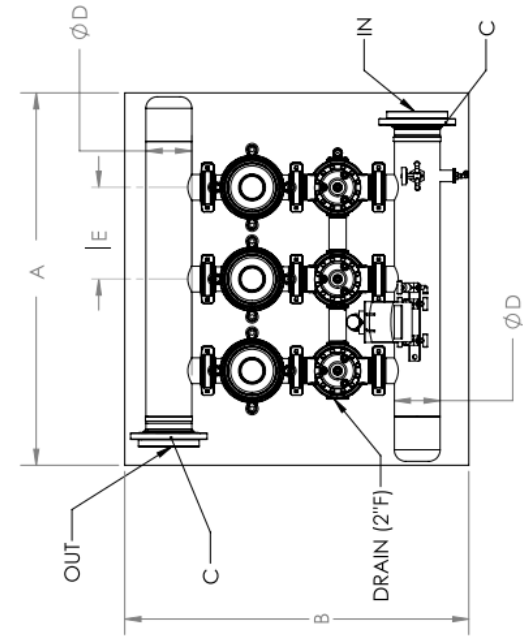
ADELAIDE

PH: 08 8408 7200

FAX: 08 8341 0707

infosaa@hrproducts.com.au

MODEL	PART NUMBER	FILTER INLET / OUTLET									
		A	B	C	D	E	W	L	H	H1	H2
2 X 2"	TAD22130MIC	800	1200	80	90	320	1000	750	1100	400	150
3 X 2"	TAD32130MIC	1200	1200	100	110	320	1100	1100	1100	400	150
3 X 3"	TAD33130MIC	1200	1200	150	160	320	1100	1100	1200	450	120



MODEL	PART NUMBER	PIPE SIZE	FLANGE BSTD	HOLES	HOLE DIAMETER MM	CONNECTION TYPE	ENDS
2 X 2"	TAD22130MIC	90	3"	4	16	FLANGED	CAPPED VICTAULIC
3 X 2"	TAD32130MIC	110	4"	4	18	FLANGED	WELDED
3 X 3"	TAD33130MIC	160	6"	8	18	FLANGED	WELDED