



PRODUCT SPECIFICATION

FILTRATION

TAVLIT SCREEN FILTERS - 20MM & 25MM

Tavlit Screen Filters are used for protection in drip, spray and sprinkler watering systems. Filters are available in sizes from 20mm to 50mm.

FEATURES

- Unique: Swivel quick installation
- Interchangeable filtration elements:
Disc and Screen elements fit the same filter body
- High Flow, low pressure loss
- Easy maintenance
- UV Resistant
- BSP male or female thread

APPLICATIONS

- Water filtration for Agriculture, Turf, domestic and industrial application

SPECIFICATIONS

Maximum Flow - 20mm:	58lpm
Maximum Flow - 25mm:	85lpm
Max Recommended Operating Pressure:	800kPa
Filtration Range:	40 - 155 mesh
Filtration Screen:	Polyester/Stainless Steel
Gaskets:	EPDM
Body:	Polypropylene



MODELS	CODE
20mm x 120 mesh screen (Brown)	TF-20-120
20mm x 155 mesh screen (Green)	TF-20-155
20mm x 80 mesh screen (Light Blue)	TF-20-80
25mm x 120 mesh screen (Brown)	TF-25-120
25mm x 155 mesh screen (Green)	TF-25-155
25mm x 80 mesh screen (Light Blue)	TF-25-80
25mm x 40 mesh screen (Dark Blue)	TF-25-40

SPARE PARTS SCREEN ELEMENTS	CODE
20mm bsp female swivel inlet & outlet filter body	TF-20-BO
25mm bsp female swivel inlet & outlet filter body	TF-25-BO
40 mesh screen to suit 20mm & 25mm body	TFF-40
80 mesh screen to suit 20mm & 25mm body	TFF-80
120 mesh screen to suit 20mm & 25mm body	TFF-120
155 mesh screen to suit 20mm & 25mm body	TFF-155

FILTRATION_TAVLIT_TF2025_V1.05-20

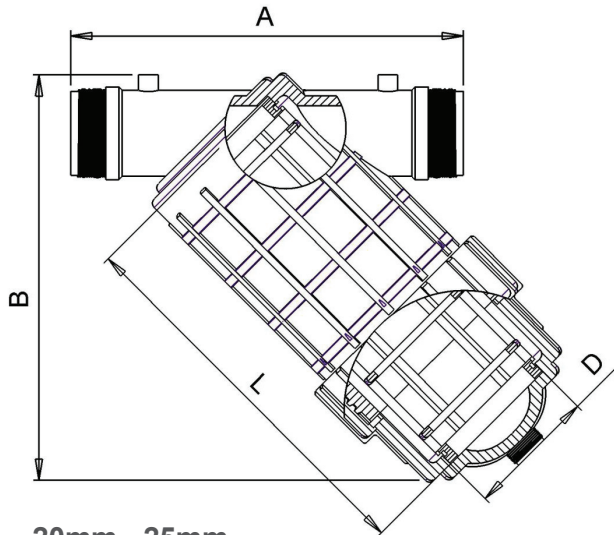
www.hrproducts.com.au





TAVLIT SCREEN FILTERS - 20MM & 25MM

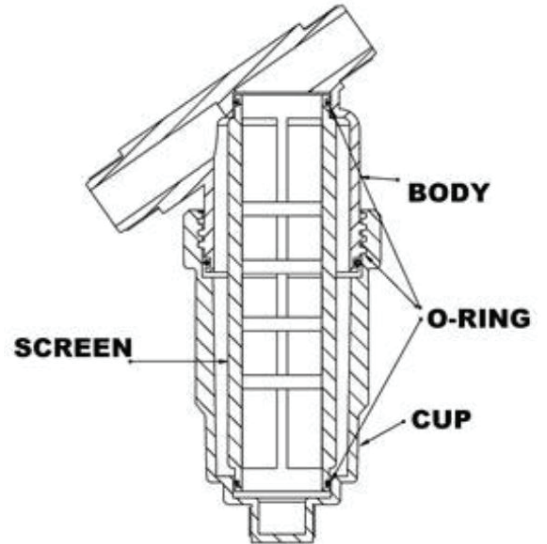
FILTER DIMENSIONS



20mm - 25mm

Filter Dimensions

- A: 121mm
- B: 160mm
- L: 153mm
- D: 31mm



- Body: P.P
- Screen: Stainless Steel or Polyester
- O-Rings: EPDM

HEAD LOSS at 120 mesh in metres, 10kPa

Screen Filters:

Flow Rate	20mm	25mm
LPM	kPa	
16.6	0.5	0.2
33.3	1.10	0.62
50	1.70	1.0
66.6	3.0	1.8
83.3	4.6	3.0
100	7.0	4.47

FILTRATION_TAVLIT_TF2025_V1.05-20

www.hrproducts.com.au

