

# Gator

## Point to Point Radio Modules for switching or counting

Gator Point to Point Radio Modules are independent modules that can be wirelessly linked to perform the switching of remote devices or over the air transmission of flow meter pulses.

Useful in many irrigation and water automation applications such as -

- Starting and stopping of primary / booster irrigation pumps.
- The filling of tanks from borehole pumps for stock watering or domestic consumption.
- Remote switching of pumps from a centre pivot irrigation system thus reducing the need for travelling between the pump and pivot and preventing the need to lay extra control cables between these points.
- Remote control of valves in applications such as reservoir filling.
- Over the air transfer of flow meter pulses to allow for the reading of flow meters that are located remotely.

## Main Features

Point to point transmission range of up to 2 kilometres line of sight

Up to two inputs and two outputs per module allowing modules to be set as a receiver or as a transmitter

The units can be setup to operate in either a switching mode or pulsing mode depending on applications requirements

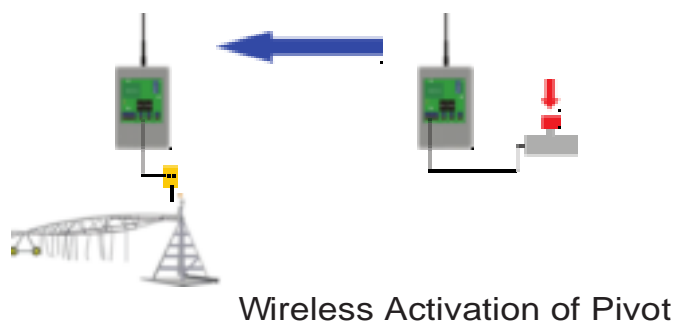
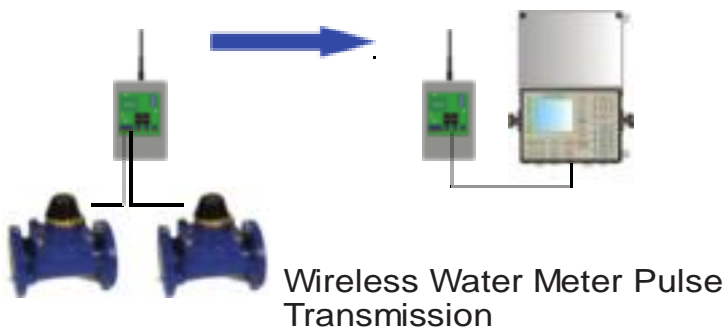
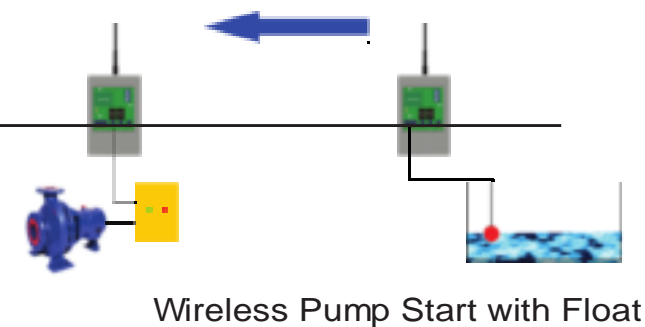
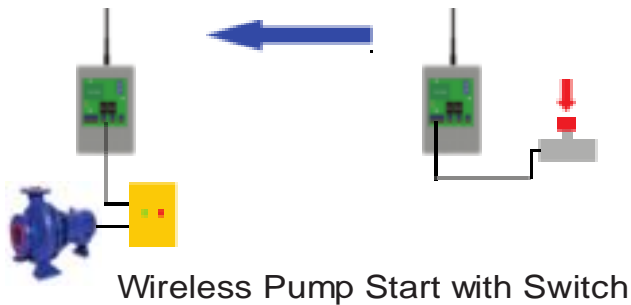
Switching mode will be used for starting / stopping of pumps, valves or similar applications

Pulse mode will be used for transmitting readings from remote flow meters to a central control point

Units require a 12VDC power source which can be powered from the grid using a small power supply (with or without battery backup) or a solar (PV) power supply for areas where there is no grid power



# Typical Applications



Wireless remote control of pumps and valves that can be achieved automatically using an irrigation controller or manually using a simple switch. Up to two pumps / valves can be remotely controlled from the same transmitter module. Up to two pumps / valves can also be controlled from a common receiver module or split between two receiver modules.

Wireless remote control of pumps and valves making use of a float switch (or similar device) suspended in a reservoir/tank allowing the activation or deactivation of the pump/valve based on the water level. In cases where power is unavailable it is possible to provide a solar (PV) power source with battery backup functionality.

Wireless over the air transfer of flow meter pulses allowing for the remote reading of flow meters by a computer/counter system or similar device. Up to a maximum of two flow meters can be linked to a single transmitter module. Up to two flow meters can be linked to a receiver module or split between two receiver modules.

Wireless remote control of valves and pumps associated with Center Pivot irrigation systems. Pumps can be started from the pivots center or the pivot's main valve can be controlled from the pump station (one or the other). The system can be connected so as to shut down pumps and valves should the pivot go into a fault mode.

AVAILABLE FROM:



PERTH – 08 8455 1677    SYDNEY – 02 9725 5733  
MELBOURNE – 03 9457 7500    BRISBANE – 07 3806 0522  
ADELAIDE – 08 8341 0008

[www.hrproducts.com.au](http://www.hrproducts.com.au)

