

# TAVLIT SCREEN FILTERS - 40MM & 50MM

Tavlit Screen Filters are used for protection in drip, spray and sprinkler watering systems. Filters are available in sizes from 20mm to 50mm.

## Features

- Unique: Swivel quick installation
- Interchangeable filtration elements:  
Disc and Screen elements fit the same filter body
- High Flow, low pressure loss
- Easy maintenance
- UV Resistant
- BSP male or female thread

## Applications

- Water filtration for Agriculture, Turf, domestic and industrial application

## Specifications

Maximum Flow - 40mm:	207lpm
Maximum Flow - 50mm:	342lpm
Max Recommended Operating Pressure:	1000kPa
Filtration Range:	80 - 155 mesh
Filtration Screen:	Polyester/Stainless Steel
Gaskets:	EPDM
Body:	Polypropylene



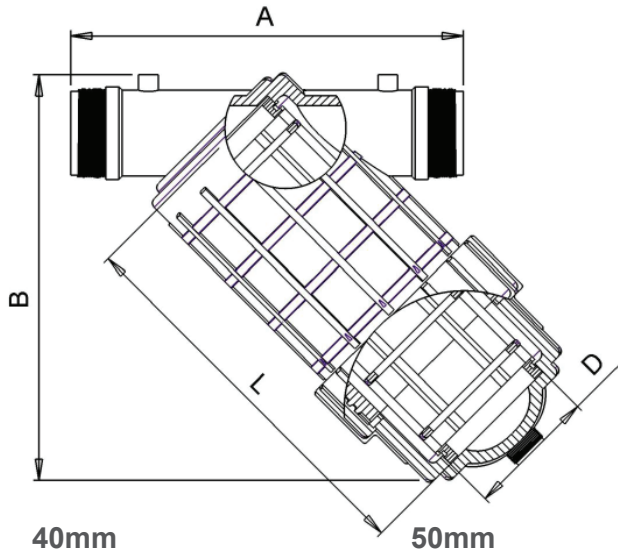
Part No.	Description
<b>40mm Tavlit Screen Filters</b>	
TF-40-120	40mm x 120 mesh screen (Brown)
TF-40-155	40mm x 155 mesh screen (Green)
TF-40-80	40mm x 80 mesh screen (Light Blue)
<b>50mm Tavlit Screen Filters</b>	
TF-50-120	50mm x 120 mesh screen (Brown)
<b>40mm &amp; 50mm Tavlit Plastic Filters - Spare Parts Screen Elements</b>	
TFM40-80	80 mesh screen to suit 40mm Body
TFM40-120	120 mesh screen to suit 40mm Body
TFM50-80	80 mesh screen to suit 50mm Body
TFM50-120	120 mesh screen to suit 50mm Body





# TAVLIT SCREEN FILTERS - 40MM & 50MM

## FILTER DIMENSIONS



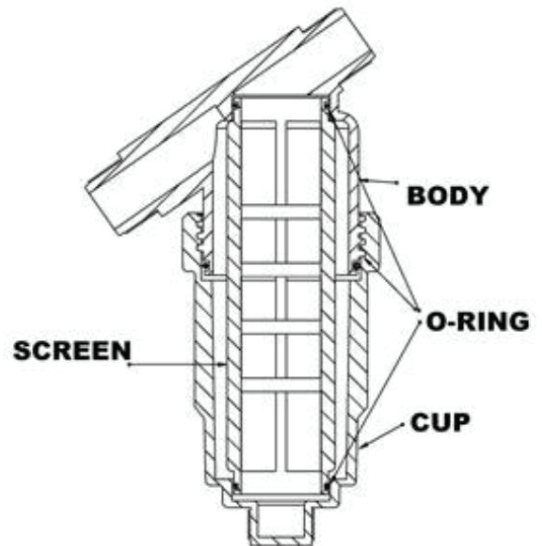
### Filter Dimensions

**A:** 257mm  
**B:** 240mm  
**L:** 220mm  
**D:** 80mm

### Filter Dimensions

**A:** 257mm  
**B:** 270mm  
**L:** 265mm  
**D:** 80mm

## MATERIALS



**Body:** P.P

**Screen:** Stainless Steel or Polyester

**O-Rings:** EPDM

## HEAD LOSS at 120 mesh in metres, 10kPa

### Screen Filters:

Flow Rate	40mm	50mm
LPM	kPa	
83	3.0	
100	4.0	
116	6.0	3.0
133	8.0	3.5
150	9.5	5.0
166	11.9	6.4
200	13.7	7.5
233	17.0	9.9
266	21.9	13.0
300	27.9	15.9
333	35.0	19.9