



# MANUAL INLINE SCREEN FILTER - SERIES 2000

Odin series 2000 are mainly used as a Control filter in agricultural applications and filtering small quantities of water impurities.

## Features

- Series 2000 has a horizontal inlet and outlet
- Mainly used as a control filter in agriculture
- Filter sizes available: 40mm, 50mm, 80mm, 100mm & 150mm
- Four mesh sizes available - 40mesh, 60mesh, 80mesh and 120mesh
- Cover can be easily removed for servicing and cleaning

## Applications

- Primary filtration for clean ground water
- Secondary filtration for Media Filter batteries and Sand Separators

## Specifications

Recommended Flow Range:	250lpm - 3000lpm
Maximum recommended working pressure:	800kPa
Maximum pressure:	1000kPa
End Connection Type:	Threaded (40& 50mm) & Flanged (80,100,150mm)
Installation:	Horizontally with body pointing upwards (drain valve downwards)



Part No.	Description
<b>40mm Flow Range: Up to 250lpm</b>	
OD2015	40mm Y Pattern Screen Filter body only
OD2015-XXX	40mm Y Pattern Screen Filter with Stainless Steel screen complete (please specify mesh size required)
ODE000401/XXX	Stainless Steel Mesh Replacement Screen (40,60,80 &120)
<b>50mm Flow Range: Up to 500lpm</b>	
OD2020	50mm Y Pattern Screen Filter body only
OD2020-XXX	50mm Y Pattern Screen Filter with Stainless Steel screen complete (please specify mesh size required)
ODE000411/XXX	Stainless Steel Mesh Replacement Screen (40,60,80 &120)
<b>80mm Flow Range: Up to 666lpm</b>	
OD2030	80mm Y Pattern Screen Filter body only
OD2030-XXX	80mm Y Pattern Screen Filter with Stainless Steel screen complete (please specify mesh size required)
ODE000412/XXX	Stainless Steel Mesh Replacement Screen (40,60,80 &120)
<b>100mm Flow Range: Up to 1333lpm</b>	
OD2040	100mm Y Pattern Screen Filter body only
OD2040-XXX	100mm Y Pattern Screen Filter with Stainless Steel screen complete (please specify mesh size required)
ODE000413/XXX	Stainless Steel Mesh Replacement Screen (40,60,80 & 120)
<b>150mm Flow Range: Up to 3000lpm</b>	
OD2260	150mm Y Pattern Screen Filter body only
OD2260-XXX	150mm Y Pattern Screen Filter with Stainless Steel screen complete (please specify mesh size required)
ODE000425/XXX	Stainless Steel Mesh Replacement Screen (40,60,80 & 120)



# MANUAL INLINE SCREEN FILTER - SERIES 2000

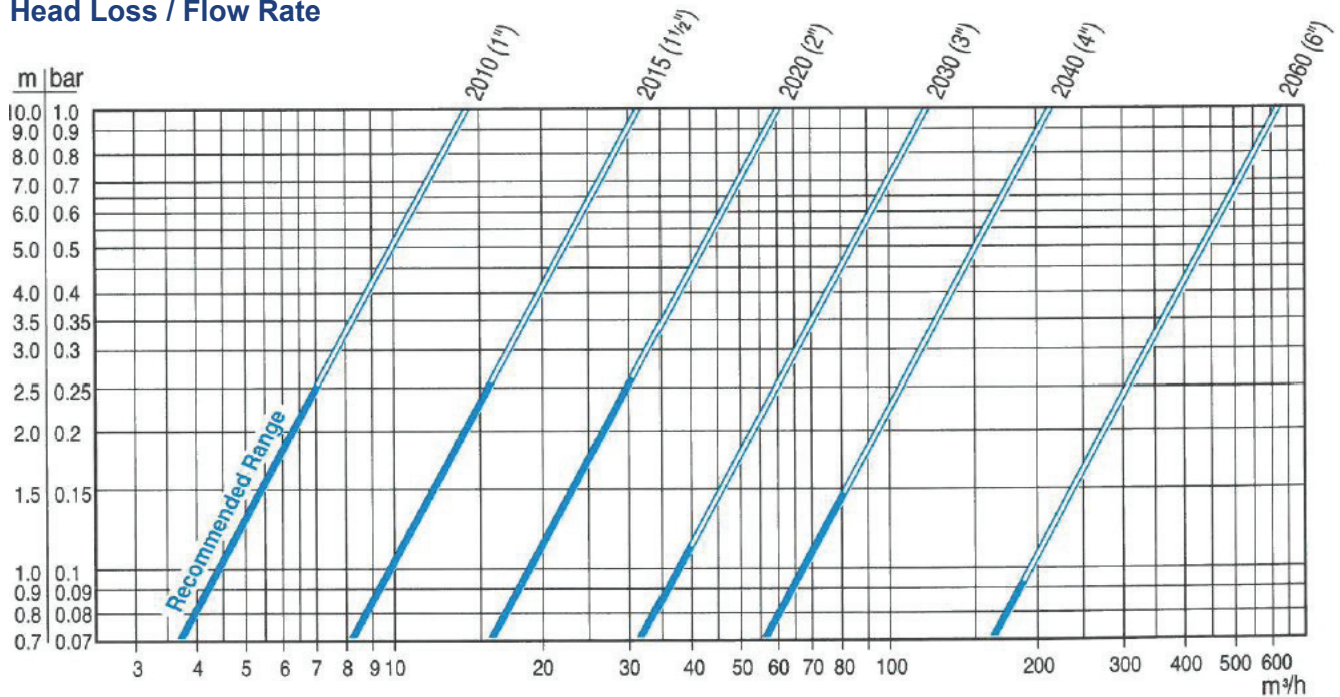
## Head Loss

Model	Flow Rate Q (m <sup>3</sup> /h)											
	2.5	5	7.5	10	15	20	25	30	35	40	50	60
Head Loss dP (bar)												
2010	0.03	0.12	0.27	0.48	1.07							
2015			0.06	0.10	0.23	0.42	0.65	0.94	1.27			
2020					0.06	0.11	0.17	0.24	0.33	0.43	0.67	0.97

## Head Loss

Model	Flow Rate Q (m <sup>3</sup> /h)													
	30	40	50	60	80	100	120	140	160	180	200	220	240	
Head Loss dP (bar)														
2030	0.06	0.11	0.17	0.25	0.44	0.69	1.00							
2040			0.05	0.08	0.14	0.22	0.31	0.42	0.55	0.70	0.87	1.05		
2060						0.03	0.04	0.05	0.07	0.08	0.10	0.13	0.15	

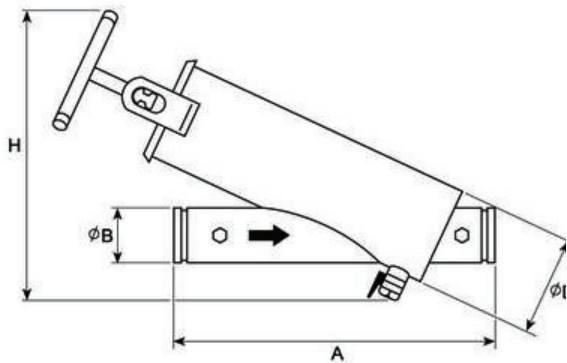
## Head Loss / Flow Rate



★★ For a clean filter and 120 mesh screen.  
 ■ 1 bar=100 kPa=1.02 kg/cm<sup>2</sup>=10.2 m (W.C)=14.5 psi

# MANUAL INLINE SCREEN FILTER - SERIES 2000

## FILTER DIMENSIONS



40mm

### Filter Dimensions

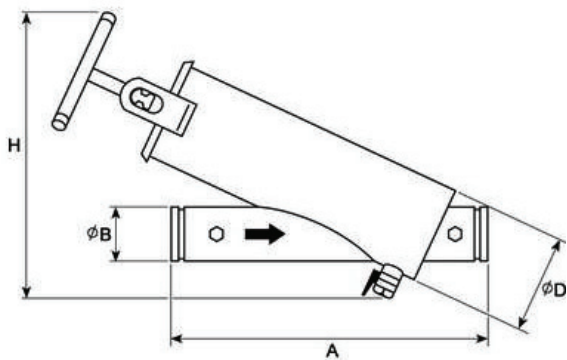
A: 330mm

B: 40mm

D: 100mm

H: 380mm

Threaded End Connection



50mm

### Filter Dimensions

A: 470mm

B: 50mm

D: 150mm

H: 465mm

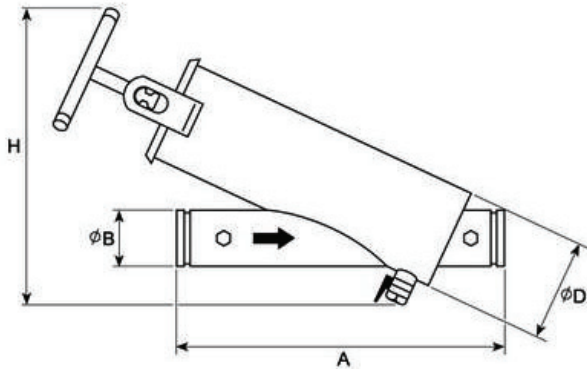
Threaded End Connection





# MANUAL INLINE SCREEN FILTER - SERIES 2000

## FILTER DIMENSIONS



**80mm**

### Filter Dimensions

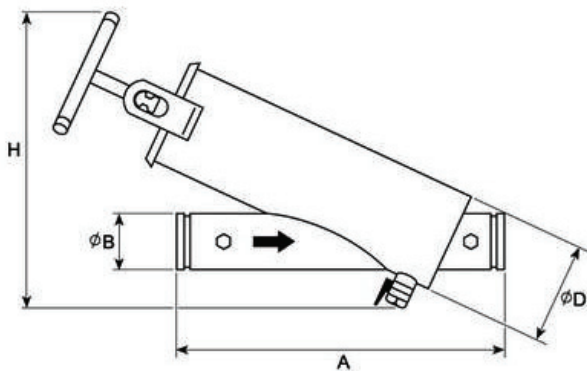
**A:** 555mm

**B:** 80mm

**D:** 150mm

**H:** 530mm

Flanged End Connection



**100mm**

### Filter Dimensions

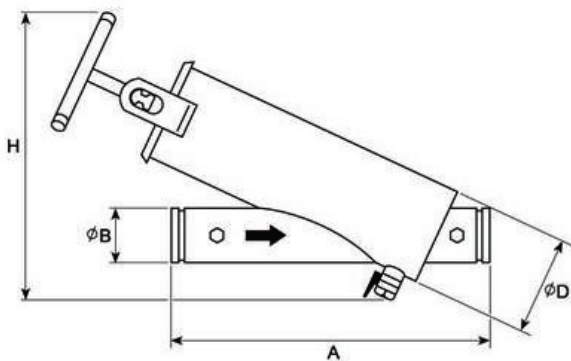
**A:** 690mm

**B:** 100mm

**D:** 200mm

**H:** 640mm

Flanged End Connection



**150mm**

### Filter Dimensions

**A:** 900mm

**B:** 150mm

**D:** 300mm

**H:** 705mm

Flanged End Connection