

ADIR MANUAL FILTERS - SCREEN & DISC 25MM & 40MM

Tavlit's professional line of plastic filters are designed for use in all irrigation systems and industry. Filters are available in sizes from 25mm to 80mm.

Features

- Body lock ring enables easy opening of the filter without the use of tools
- Stainless steel weave wire screen element (available)
- Filter disc element is secured to the body and includes a telescopic spine
- Large filtration area for handling large quantities of dirt
- Grooved plastic disc element on telescopic spine (available)

Applications

- Water filtration for Agriculture, Turf, domestic and industrial application
- Applicable for a wide range of flows

Specifications

Recommended Flow Range:	134lpm - 250lpm
Max Recommended Operating Pressure:	1000kPa
Filtration Range:	80 - 120 mesh
Body Material:	Polypropylene & Glass Filled Nylon
End Connection Type:	Male BSP Thread
Locking Ring:	Polyamide & Glass Filled Nylon
O Ring:	EPDM



25mm



40mm

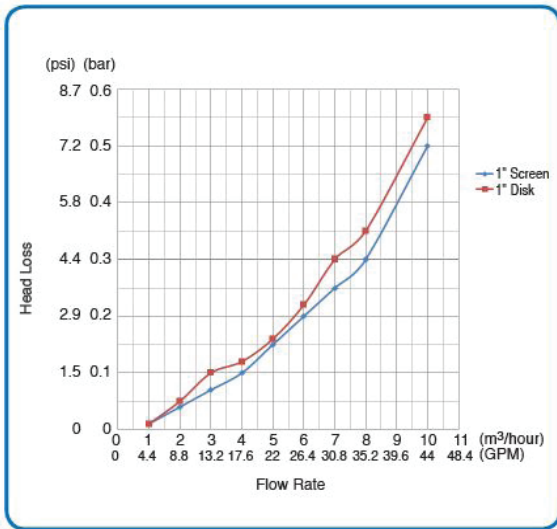
Part No.	Description
25mm Flow Range: Up to 134lpm	
Screen Filters	
NF1MS80	25mm 80 mesh screen filter
NF1MS120	25mm 120 mesh screen filter
Disc Filters	
NF1MD80	25mm 80 mesh disc filter
NF1MD120	25mm 120 mesh disc filter
40mm Flow Range: Up to 250lpm	
Screen Filters	
NF112MS80	40mm 80 mesh screen filter
NF112MS120	40mm 120 mesh screen filter
Disc Filters	
NF112MD80	40mm 80 mesh disc filter
NF112MD120	40mm 120 mesh disc filter



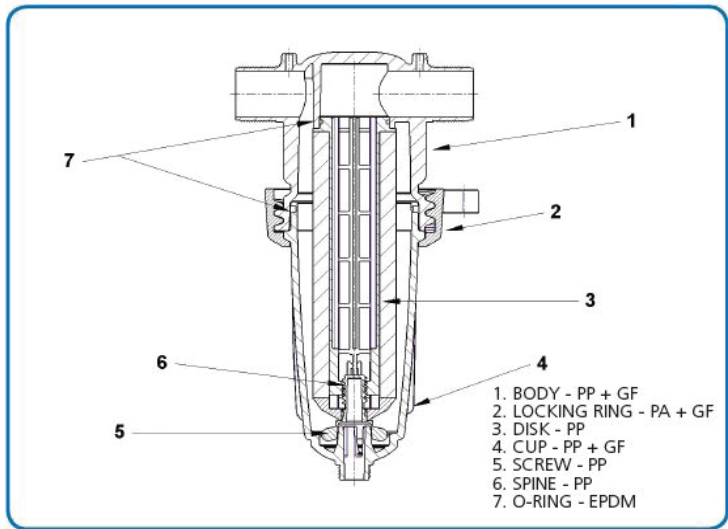
ADIR MANUAL FILTERS - SCREEN & DISC 25MM & 40MM

25mm

1" ADIR FILTER HEAD LOSS

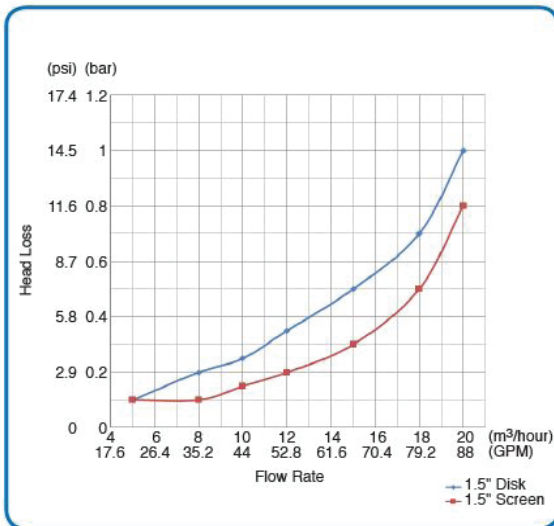


1", 1 1/2" DISK FILTER

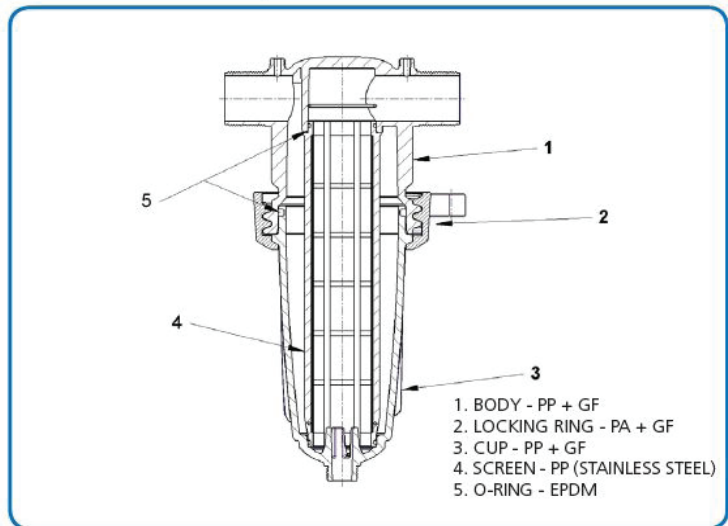


40mm

1.5" ADIR FILTER HEAD LOSS



1", 1 1/2" SCREEN FILTER

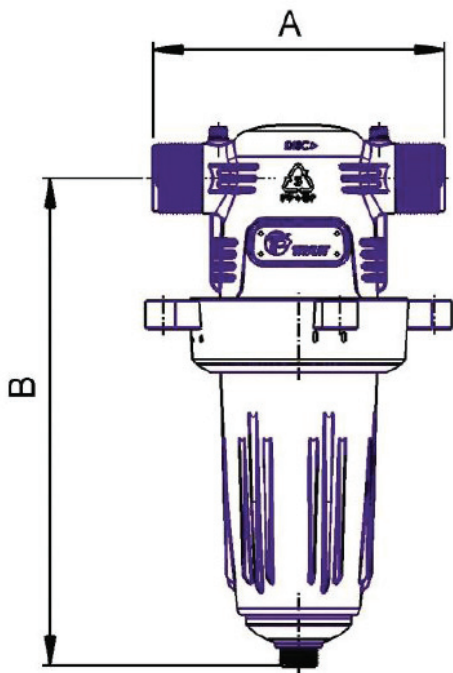


25mm & 40mm Tavlit Plastic Filters - Spare Parts Screen and Disc Elements

NFSI80M	80 mesh screen for 25mm & 40mm Tavlit filter bodies - Blue
NFSI120M	120 mesh screen for 25mm & 40mm Tavlit filter bodies - Red
NEFD80M	80 mesh disc for 25mm & 40mm Tavlit filter bodies - Yellow
NEFD120M	120 mesh disc for 25mm & 40mm Tavlit filter bodies - Red

ADIR MANUAL FILTERS - SCREEN & DISC 25MM & 40MM

FILTER DIMENSIONS



25mm

Filter Dimensions
A: 200mm
B: 340mm
Weight: 1.5kgs

40mm

Filter Dimensions
A: 200mm
B: 340mm
Weight: 1.7kgs

FILTER ELEMENTS





In order to respond to the various needs Tavlit offers the Adir line of filters with two types of filter elements:

1. **Stainless Steel** - Stainless steel weave wire screen.
2. **Grooved Plastic** - disc elements stacked together on a telescopic spine that can be released in order to perform proper flushing of the dirt accumulated on and between the discs.

A wide range of filtration degrees is offered for various applications.



FILTER ELEMENTS

Mesh/Micron	80/200		120/120	
Stainless Steel Screen	Blue		Red	
Disc	Yellow		Red	

- Mesh count per Linear inch.
- Micron in approximate values may vary between element types