

# PRODUCT SPECIFICATION



## PVC CHECK VALVE SOLVENT WELD

### FEATURES

- Full bore
- UV Stabilised
- Solvent Weld connections
- Designed to fit pressure pipe
- Designed for use in irrigation systems, not compliant to Australian plumbing codes or Standards
- All valves pressure tested during production
- Size range: 20mm to 50mm

### SPECIFICATIONS

- Temperature Range: 0° to 40°C
- Maximum operating pressure at nominal temperatures: 1000kPa
- Schedule 80



MODELS	DESCRIPTION	CODE
20mm	20mm PVC New Check Valve SW	3040020
25mm	25mm PVC New Check Valve SW	3040025
32mm	32mm PVC New Check Valve SW	3040032
40mm	40mm PVC New Check Valve SW	3040040
50mm	50mm PVC New Check Valve SW	3040050

Specifications Subject to Change Without Notice - Product Drawings / Images are representative only and are subject to change

#### PERTH

PH: 08 9455 1677  
FAX: 08 9455 1680  
hrsales@hrproducts.com.au

#### SYDNEY

PH: 02 9725 5733  
FAX: 02 725 5283  
infonsw@hrproducts.com.au

#### MELBOURNE

PH: 03 9457 7500  
FAX: 03 9457 7400  
infovic@hrproducts.com.au

#### BRISBANE

PH: 07 3806 0522  
FAX: 07 3806 0533  
infoqld@hrproducts.com.au

#### ADELAIDE

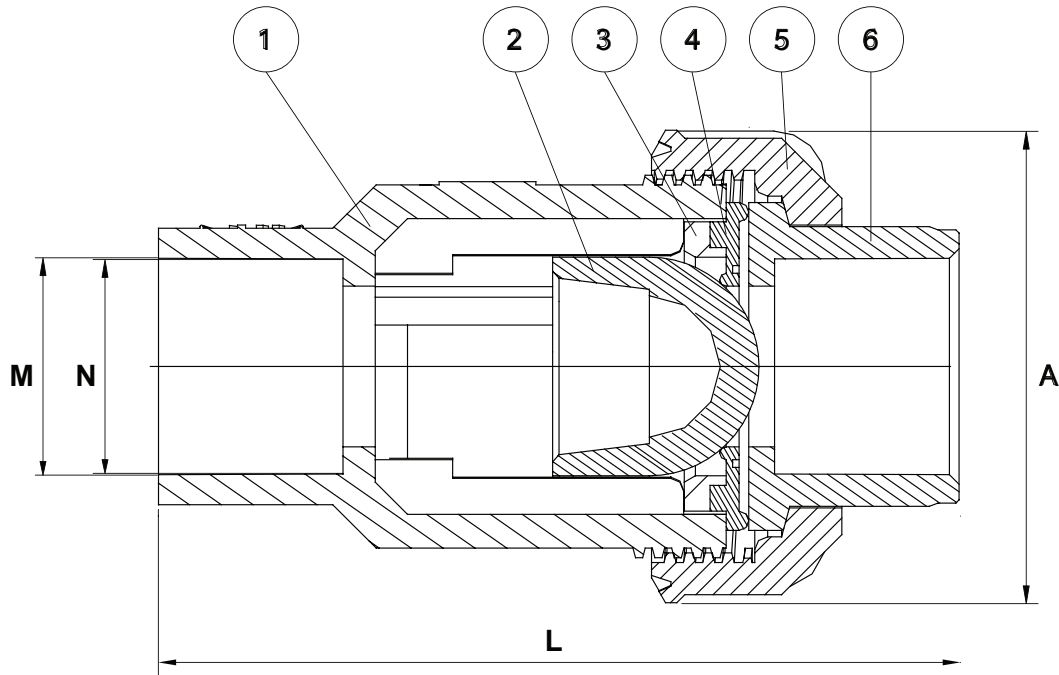
PH: 08 8341 0008  
FAX: 08 8341 0707  
infosasa@hrproducts.com.au

# PRODUCT SPECIFICATION



## PVC CHECK VALVE SOLVENT WELD

### DIMENSIONAL AND COMPONENT DIAGRAM



MATERIALS		
POS.	PART NAME	MATERIALS
1	BODY	PVC
2	JUMPER	PVC
3	SEAT	PVC
4	SEAL	EPDM
5	NUT	PVC
6	END ADAPTOR	PVC

DIMENSIONS - MM								
PROD.CODE	SIZE	A	L	M	N	WGT kg		
3040020	20	63	106	26.87	26.57	0.137		
3040025	25	73.5	124	33.65	33.27	0.248		
3040032	32	84.5	139	42.42	42.04	0.349		
3040040	40	98	150	48.56	48.11	0.505		
3040050	50	119	169	60.63	60.17	0.821		

Specifications Subject to Change Without Notice - Product Drawings / Images are representative only and are subject to change

#### PERTH

PH: 08 9455 1677  
FAX: 08 9455 1680  
hrsales@hrproducts.com.au

#### SYDNEY

PH: 02 9725 5733  
FAX: 02 725 5283  
infonsw@hrproducts.com.au

#### MELBOURNE

PH: 03 9457 7500  
FAX: 03 9457 7400  
infovic@hrproducts.com.au

#### BRISBANE

PH: 07 3806 0522  
FAX: 07 3806 0533  
infoqld@hrproducts.com.au

#### ADELAIDE

PH: 08 8341 0008  
FAX: 08 8341 0707  
infososa@hrproducts.com.au